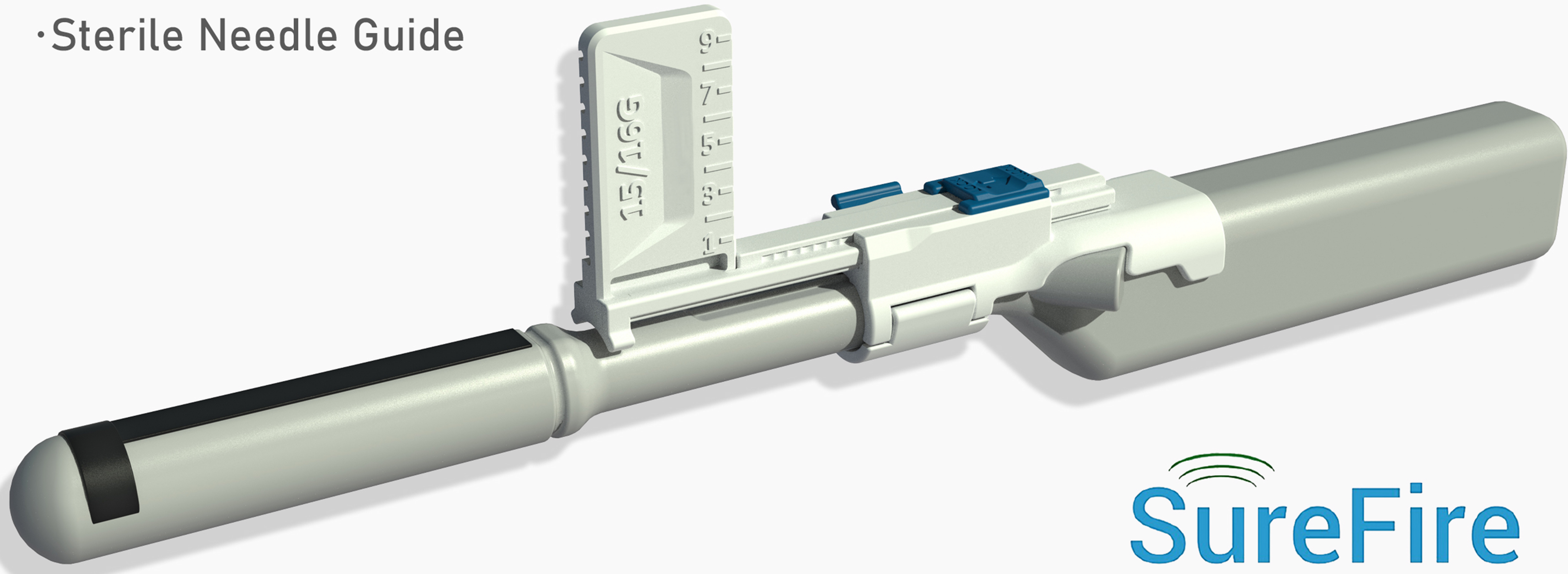




Transperineal Biopsy Guide AMD SureFire for the Hitachi Healthcare™ C41L47RP, EUP-U533, UST-672-5/7.5 Probes

Kit Includes:

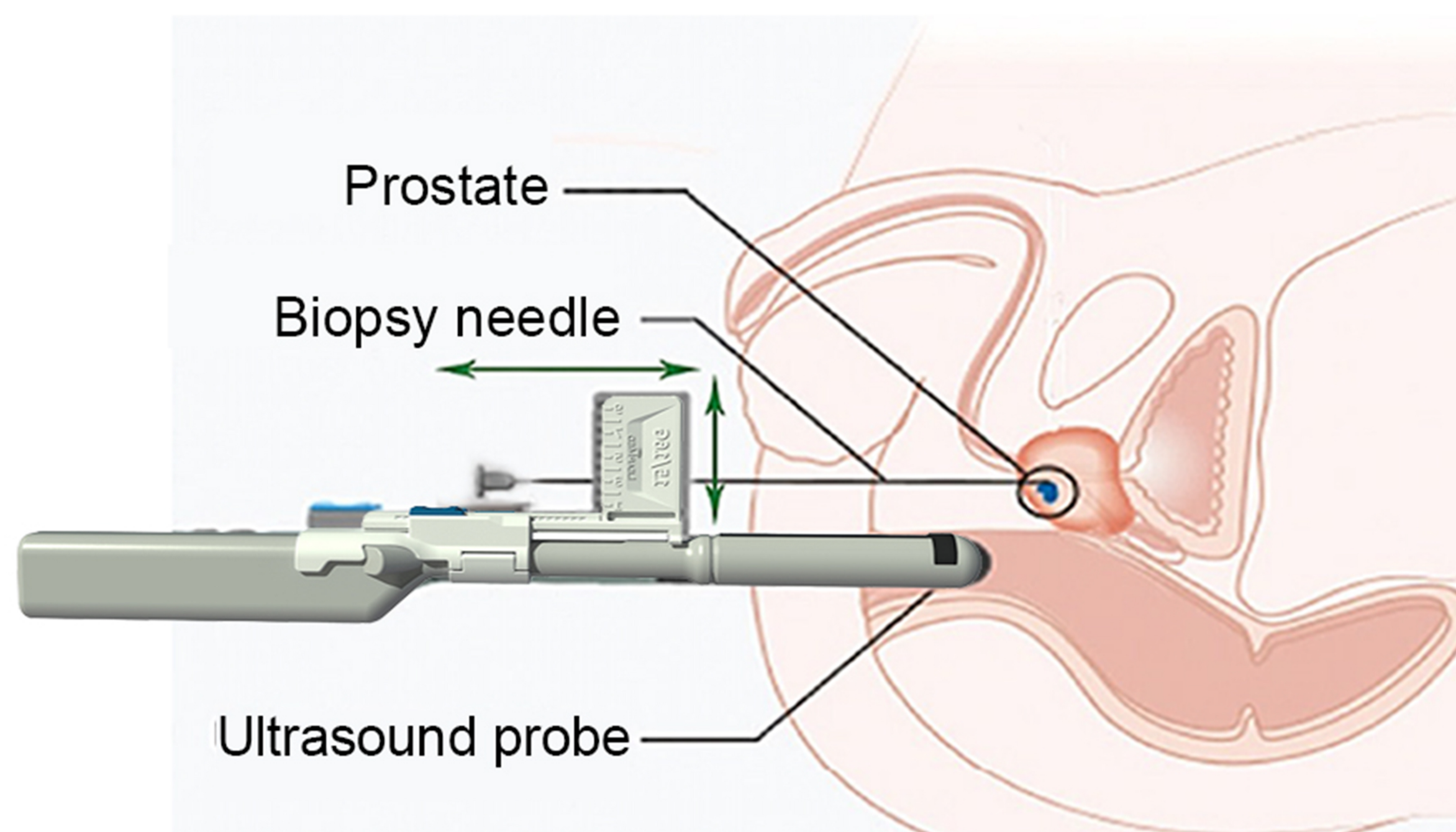
- Sterile Needle Guide



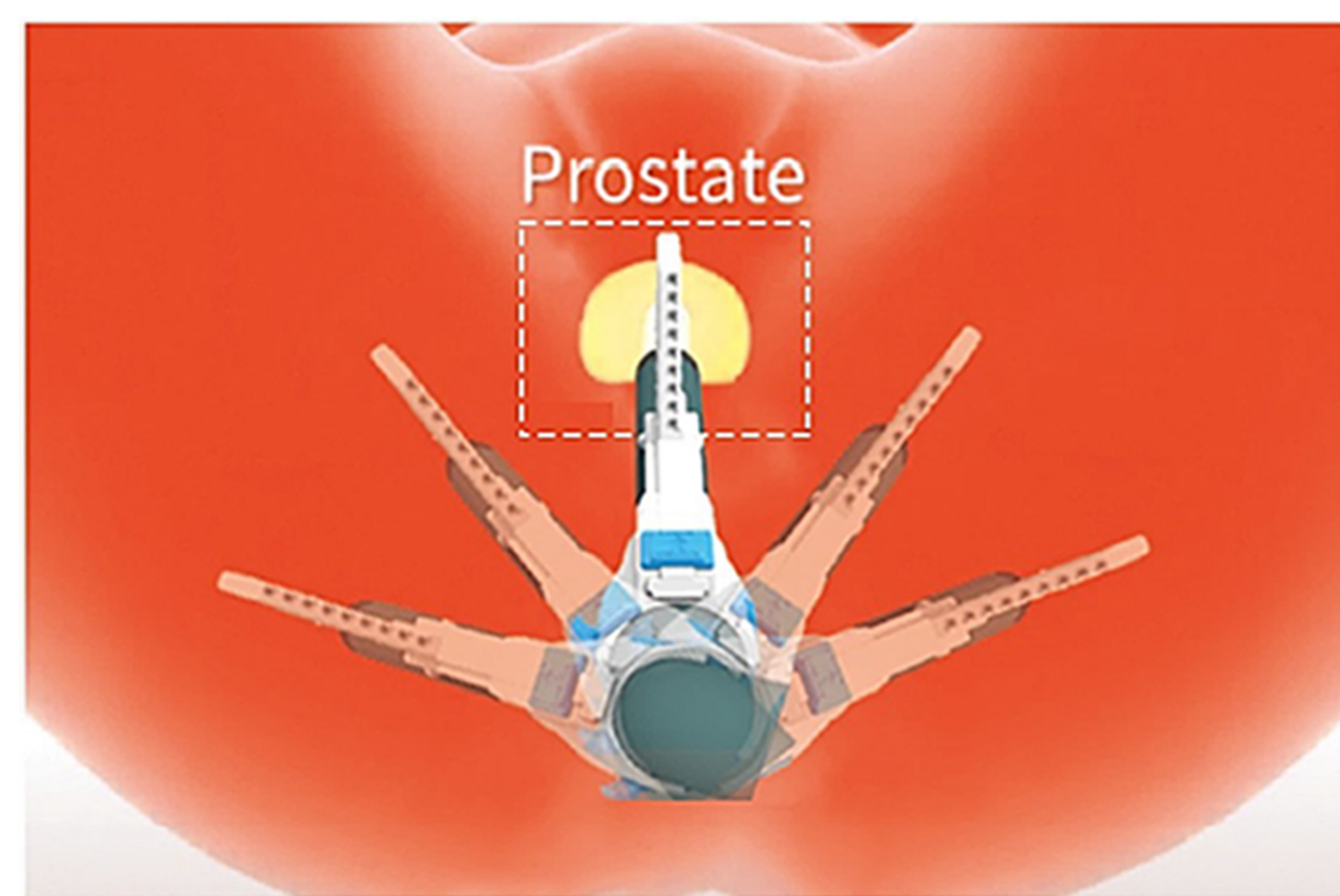
SureFire

Why Transperineal? Why Surefire?

- Oriented to Patient's MRI
- Less Infection¹
- Eliminates ££ Steppers



• Vertical access to 4cm. with 9 puncture channels



• Free Sectorial plane adjustment

Order information

Order No.	Description	Needle Size	Hole	Height	Packaging
28-TPH162	C41L47RP, EUP-U533, UST-672-5/7.5	15G-16G	9 Closed Channel	8cm	10ea./Box
28-TPH164	C41L47RP, EUP-U533, UST672-5/7.5	17G-18G	9 Closed Channel	8cm	10ea./Box



01782 637009

www.deltasurgical.co.uk





1. Apply gel on probe tip and place cover.



2. Install guide by aligning the fixation point to the guide.



3. Secure the guide by placing the locking arm into the locker slot.



6. Rotate the probe to desired region. Insert instrument through a channel which corresponds to the target.



5. Blue unlock/lock button adjusts needle plate horizontally.



4. Apply gel to the cover tip and insert the probe.

