



BLACK  
FOREST  
MEDICAL  
GROUP

DORO®

# MULTI-PURPOSE SKULL CLAMP



# ONE SKULL CLAMP - MULTIPLE POSSIBILITIES

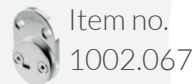
The DORO® Multi-Purpose Skull Clamp is a mechanical support system which is used in head and neck surgery. This system allows the patient's head to be positioned and secured during the operation. It can be used for cranial fixation of the patient in diverse positions.

By adapting the DORO® Multi-Purpose Skull Clamp to the QR3 format, all the beneficial features of this state-of-the-art skull clamp design become available for this series.

Special interfaces and a head support offer the possibility to attach both, skull pins and/or gel pads. This modularity allows rigid fixation with 3 or 4 skull pins or and non-invasive positioning with up to 3 gel pads. The use of 4 skull pins reduces the pressure of the individual skull pin which may be highly advantageous in pediatric applications. The system can also be used with the Extension Assembly 90N/20lbs, item no. 3020-52, providing a torque screw with lower pin pressure for pediatric applications.

## FEATURES

- QR3 Quick-Rail® technology for quick connection of accessories like the DORO LUNA® Retractor System or DORO COBRA® Adaptors.
- Interchangeable with quick-change options: Pin Holders, Gel Ear Rings, Gel Head Rings and adjustable Trio Gel Pad.
- Two torque screw options: 360N/80lbs and 90N/20lbs.
- Provides 3- or 4-pin fixation or non-invasive gel pad cranial positioning.
- Suitable for pediatric applications.
- Navigation ready.
- Easy to set-up and use.
- PMT Cervical Traction Halo System Holder available.



Please find further information on the product's web page.



# 3-PIN RIGID CRANIAL FIXATION



DORO® Single Pin Holder  
Item no. 3020-55

DORO® Multi Purpose  
Skull Clamp  
Item no. 3020-50

DORO® Dual Pin  
Holder, Adult  
Item no. 3020-56



Also mountable:  
DORO® Dual Pin  
Holder, Pediatric  
Item no. 3020-01  
(see below).

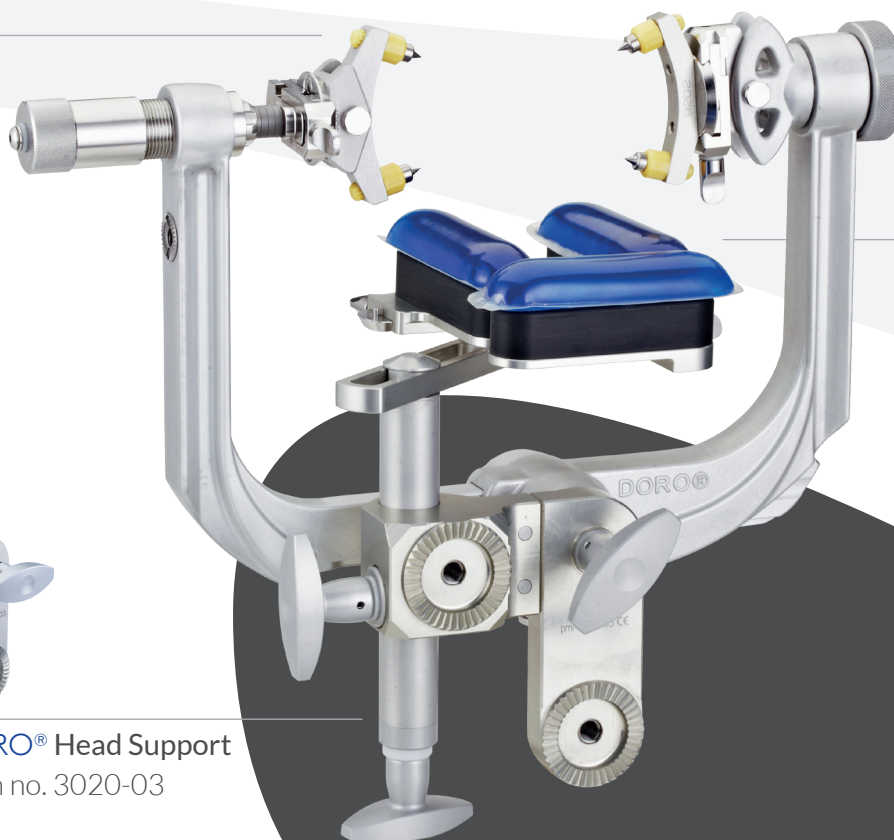
# 4-PIN RIGID CRANIAL FIXATION

- WITH ADDITIONAL HEAD SUPPORT -

DORO® Dual  
Pin Holder,  
Adjustable,  
Pediatric  
Item no. 3020-62



DORO® Dual Pin Holder, Pediatric  
Item no. 3020-01

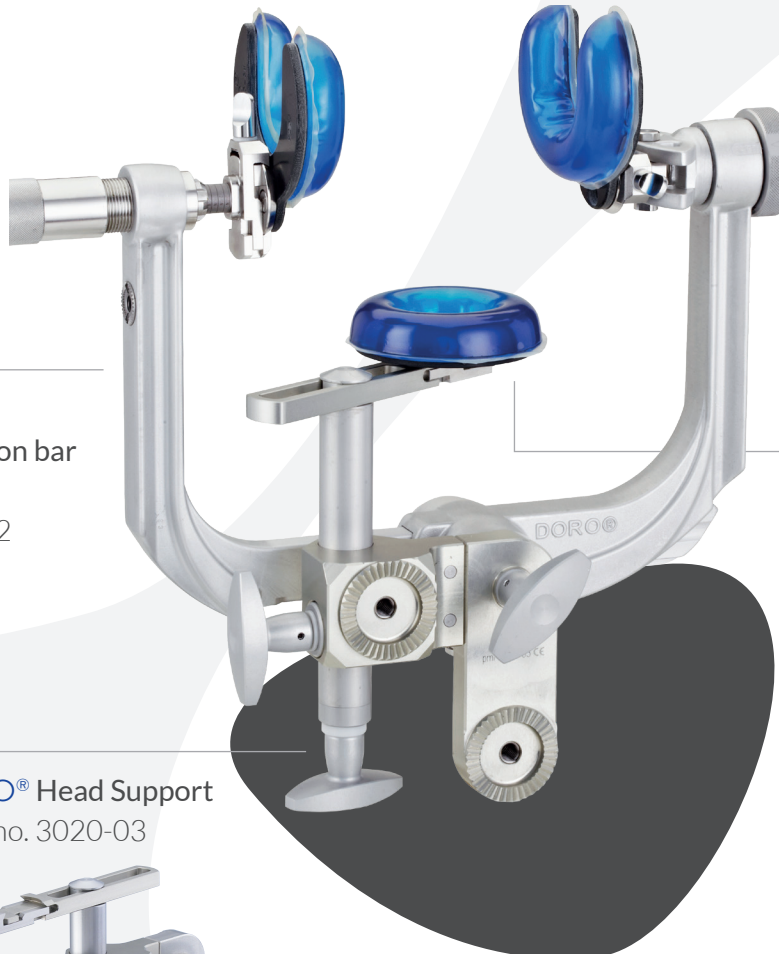


DORO® Trio Gel Pad,  
adjustable  
Item no. 3020-71



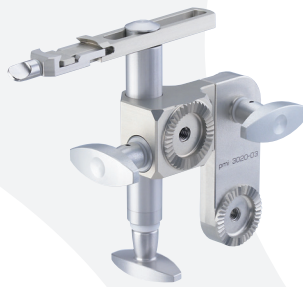
DORO® Head Support  
Item no. 3020-03

# NON-INVASIVE FIXATION



Also mountable:  
**DORO® Extension bar**  
90N/20lbs  
Item no. 3020-52

**DORO® Head Support**  
Item no. 3020-03



**DORO® Gel Ear Ring, with base**  
140 mm, item no. 3020-70  
90 mm, item no. 3020-68



Also mountable:  
**DORO® Gel Head Ring**  
140 mm, item no. 3020-63  
90 mm, item no. 3020-61

**DORO® Gel Head Ring, with base**  
140 mm, item no. 3020-63  
90 mm, item no. 3020-61



Also mountable:  
**DORO® Trio Gel Pad, adjustable**  
Item no. 3020-71  
(see page 3 and cover).



All **DORO® Multi-Purpose Skull Clamp Systems** come in a solid storage case.



Item no. 3020-001



pro med instruments – part of Black Forest Medical Group  
Headquarters | Bötzingen Straße 86 | 79111 Freiburg, Germany  
Phone +49 761 384 222 10 | Email info@blackforestmedical.com

US Subsidiary | 4529 S.E. 16th Place, Suite 101 | Cape Coral, FL 33904  
Toll Free 877 225 4086 | Email info.us@blackforestmedical.com

Version 03 © 2021 pro med instruments GmbH, Freiburg, Germany.  
All rights reserved. The information provided was compiled with utmost care. Errors can, however, not be excluded. Errors do not entitle to any legal claims. We reserve the right to modify the products at any time. PMT® is a registered trademark of PMT® Corporation.