

INFO LETTER

N° 1 | 2023

We introduce

L-Line CLEAR VIEW
MICRO Instruments



Available from



Call 01782 637009 for product details & ordering





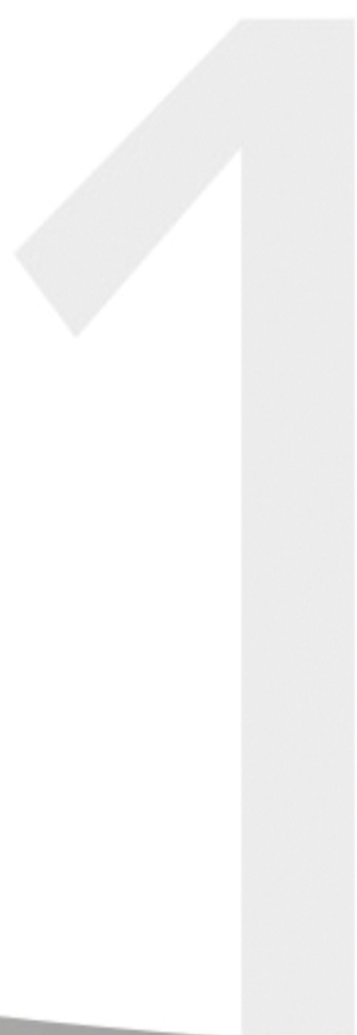
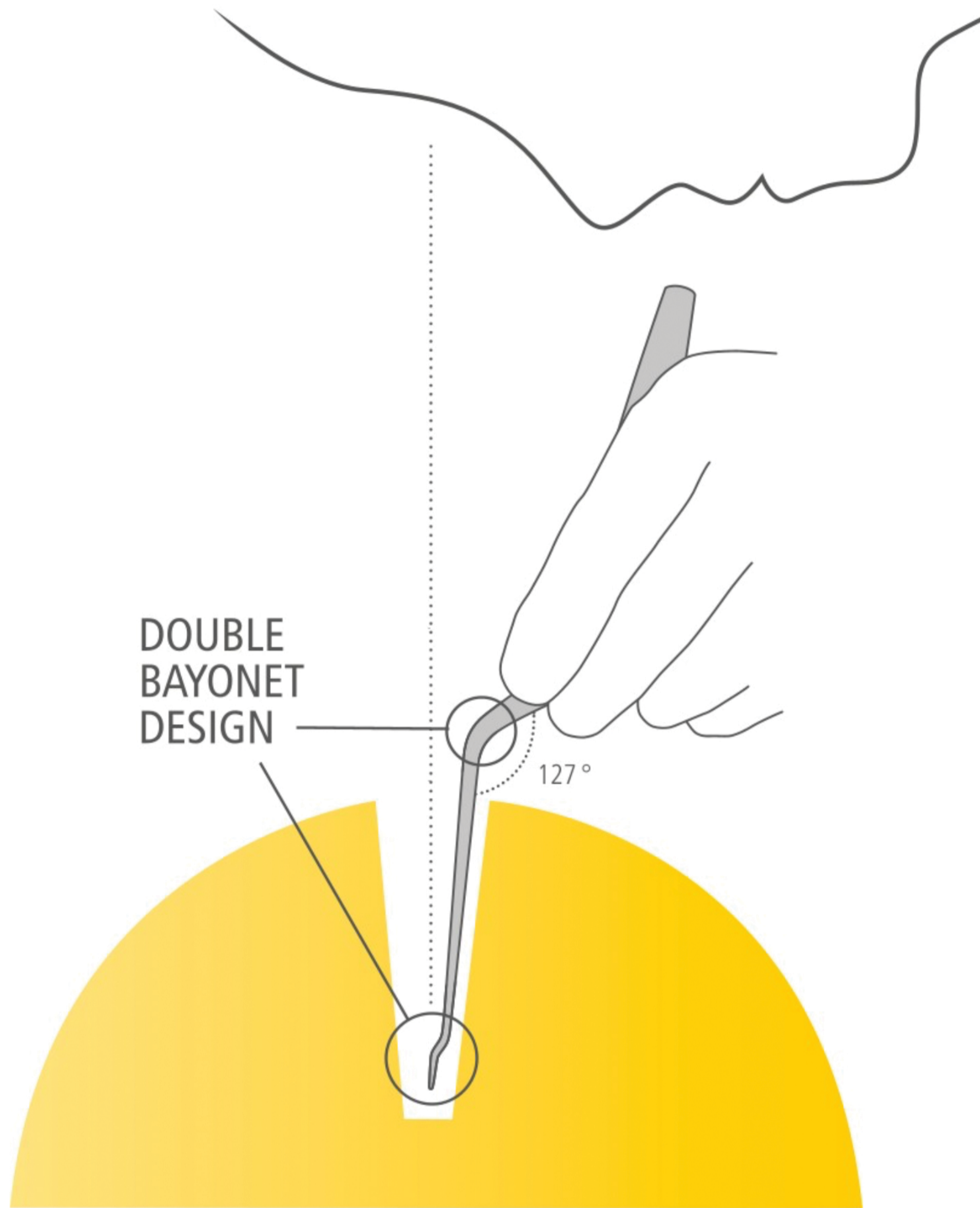
Dear valued Customer,

in this edition, we would like to draw your attention to some of our exquisite Neuro Classic instruments and emphasize that they have proven their value many times over in practical use.

Lazic's L-Line CLEAR VIEW MICRO Instruments

The double bayonet design with an angle of 127° allows the surgeon a clear view of the surgical field, without being obstructed by the instrument holding hand.

The two-stage bayonet shape offers another advantage of unobstructed sight into very narrow and deep areas, e.g., during microvascular decompression.

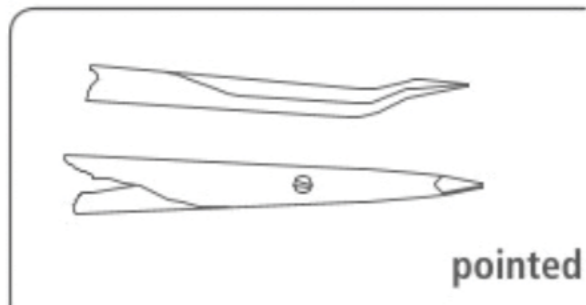


Available from

DELTA

Following instruments are available
in DOUBLE BAYONET design:

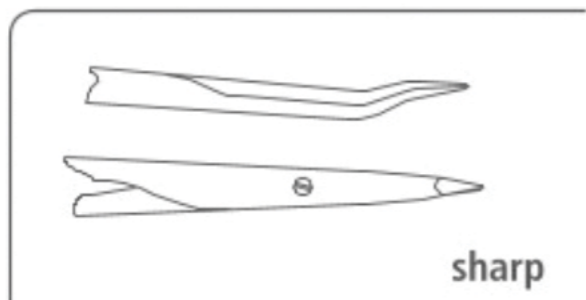
L-Line Classic Clear View Micro Scissors



70.140.20

L-Line Classic Micro Scissors,
double bayonet, straight

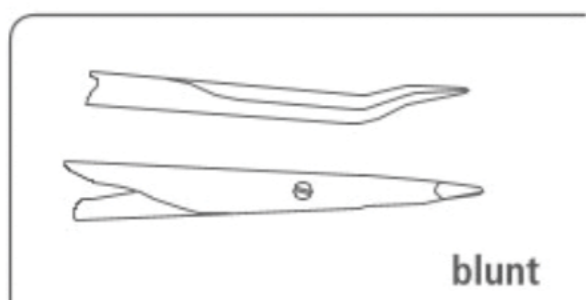
a) 215 mm, 8 1/2"
b) 90 mm, 3 1/2"



70.140.10

L-Line Classic Micro Scissors,
double bayonet, straight

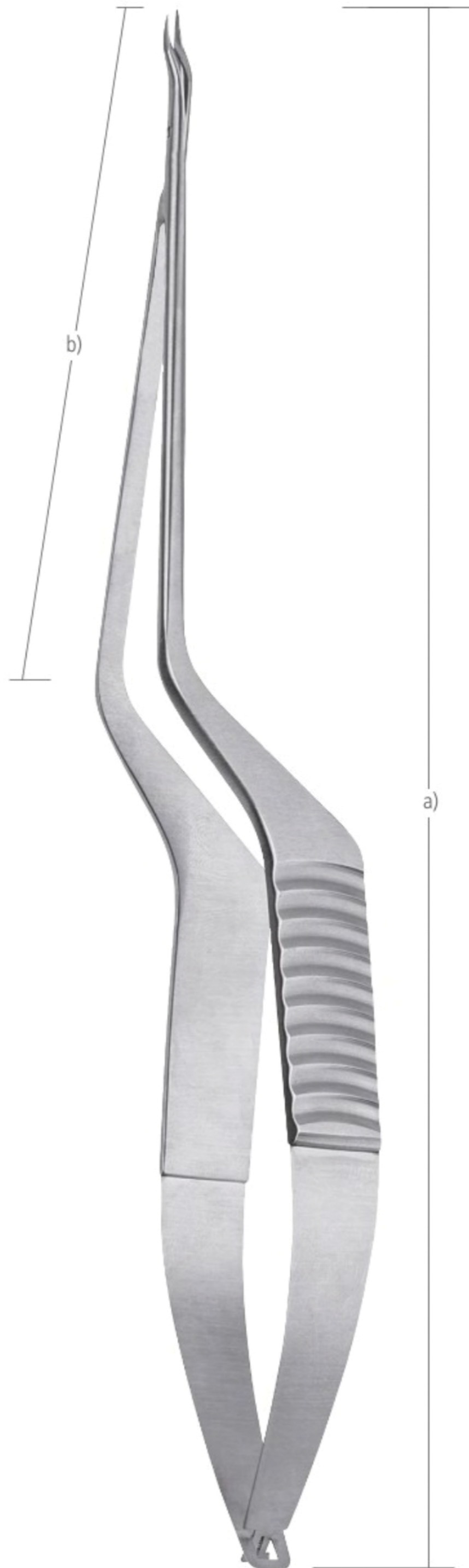
a) 215 mm, 8 1/2"
b) 90 mm, 3 1/2"



70.140.30

L-Line Classic Micro Scissors,
double bayonet, straight

a) 215 mm, 8 1/2"
b) 90 mm, 3 1/2"



Available from

DELTA

● All instruments also available in BLACK



L-Line Classic Clear View Micro Needle Holder

70.142.10

L-Line Classic Micro Needle Holder, double bayonet, upwards curved, working end Yasargil

a) 215 mm, 8 1/2"
b) 90 mm, 3 1/2"



L-Line Classic Clear View Micro Forceps

70.144.10

L-Line Classic Micro Forceps, double bayonet, Jaws: 0,5 mm

a) 215 mm, 8 1/2"
b) 90 mm, 3 1/2"

Please contact us for any questions you may have.

Your Peter Lazic Team

Available from



Call 01782 637009 for product details & ordering



Distributed in the UK by DeltaSurgical.co.uk
Unit 10, Evolution, Lymedale Business Park,
Newcastle Under Lyme,
Staffordshire,
ST5 9QF